



Tractor Condition Report

VEHICLE # _____ CUSTOMER _____ RA # _____

DATE OUT _____ MILEAGE OUT _____ DATE IN _____ MILEAGE IN _____

CODES: SCRATCH, DENT, BEND, HOLE, CRACK, CHIP, MISSING. For Major Damage add **M** before code letter.
Clearly Indicate damaged areas briefly describe damage when necessary

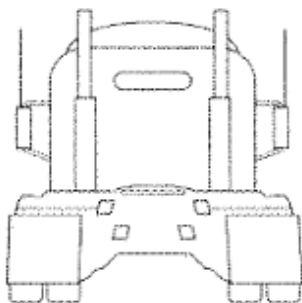
CHECK OUT

DEF	E	1/4	1/2	3/4	F				
FUEL	E	1/8	1/4	3/8	1/2	5/8	3/4	7/8	F



COMMENTS:

Interior Damage: Y N _____



COMMENTS:

Interior Damage: Y N _____



COMMENTS:

Interior Damage: Y N _____

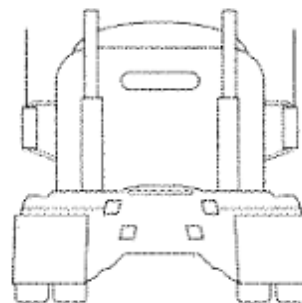
CHECK IN

DEF	E	1/4	1/2	3/4	F				
FUEL	E	1/8	1/4	3/8	1/2	5/8	3/4	7/8	F



COMMENTS:

Interior Damage: Y N _____



COMMENTS:

Interior Damage: Y N _____



COMMENTS:

Interior Damage: Y N _____